



## CX series pool and spa pumps

Huricon engineers were given one simple goal for the CX Series pumps. Make them 'bullet-proof'. To most pool and spa owners, a pump is a pump – that is until it stops working. Then it's a problem. The CX Series was designed to withstand the most difficult Australian conditions. In the end making a tougher pump was the right decision. The CX Series is one of the most popular pool and spa pumps on the market.



# Hurlcon CX series pool and spa pumps



The harsh climate and the high pressures now demanded of pumps have created problems for some manufacturers over the years. So the CX Series had to be tough enough to deliver under any conditions.

The combination of heavy duty construction and quality materials allows the CX to provide large amounts of power to drive substantial water flows with low operating noise and all at a very reasonable price.

### Efficient.

CX also moves more water, using less power, in fewer hours per day. So its operating costs are also considerably lower.

### Quiet.

High quality materials and rigid construction reduce operating noise at one metre as low as 57 decibels.

### Reliable.

External protection on the CX is provided by a single piece body of super tough and stable Noryl, a corrosion-resistant, high-tech, glass-reinforced thermoplastic.

### Quality Components.

Internally, stainless steel shafts and 'lapped true carbon face and ceramic seats' also help achieve the highest standards of reliability and durability.

### Genus Technology.

The CX Series is not just a pump, its part of a family of high quality, highly intelligent, interconnected products that together, take total care of your pool and spa.

The Genus IV controller links all the separate components together through a single control that allows

any member of the family to operate the system.

### Convenience.

The large hair and lint pot requires less frequent cleaning and the clear inspection lid is easily undone for cleaning the strainer basket. Inlet and outlet barrel union connections

allow for quick and easy installation and removal for servicing. There is also provision for 40mm or 50mm connections.

### Range.

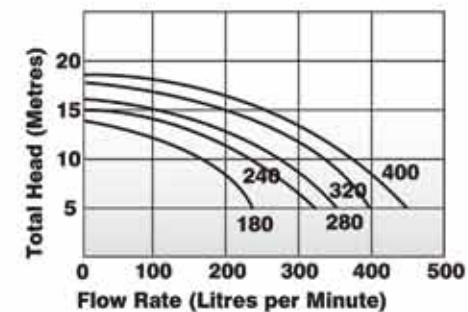
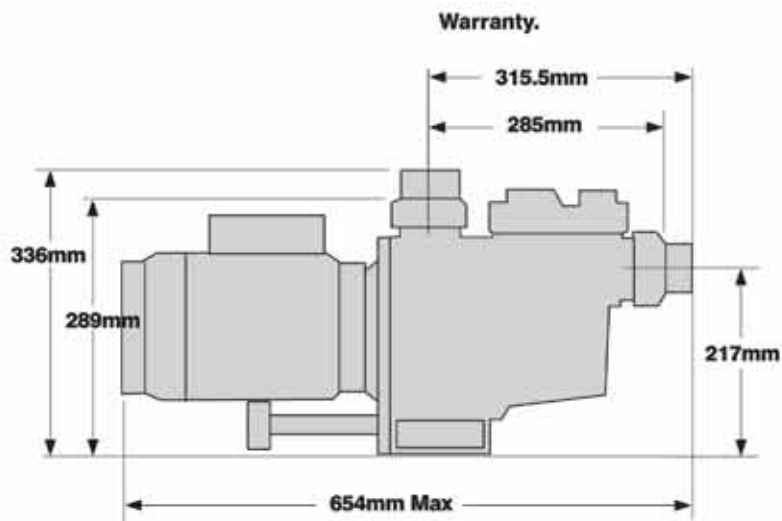
The Hurlcon CX Series Pool and Spa Pumps are available in 5 sizes from 0.75 horsepower to 2 horsepower.

Each pump is covered by a limited 3 year warranty against defects in materials and workmanship.

For full details refer to the CX Series Instruction Sheet.

### Specifications.

Model	Volts	Phase	Input Watts	Horse Power	Flow Rate @ 8 m/h	Max Noise @ 1 mtr	Full Load Amps
CX 180	240	Single	750	0.75	190 lpm	57 dBA	3.2
CX 240	240	Single	1050	1.00	245 lpm	57 dBA	4.3
CX 280	240	Single	1200	1.25	300 lpm	58 dBA	5.3
CX 320	240	Single	1490	1.50	340 lpm	60 dBA	6.6
CX 400	240	Single	1820	2.00	400 lpm	63 dBA	7.5



Available from:



www.astralpool.com.au  
sales@astralpool.com.au

Melbourne Office:  
Ph: 03 9765 9700  
Fax: 03 9765 9770

Sydney Office:  
Ph: 02 9853 2100  
Fax: 02 9853 2170

Brisbane Office:  
Ph: 07 3308 5400  
Fax: 07 3308 5470

Townsville Office:  
Ph: 07 4750 3100  
Fax: 07 4750 3170

Gold Coast Office:  
Ph: 07 5552 2600  
Fax: 07 5552 2670

Adelaide Office:  
Ph: 08 8512 7600  
Fax: 08 8152 7670

Perth Office:  
Ph: 08 9350 2600  
Fax: 08 9350 2670