



## Viron QL Cartridge Filter

A product of today's thinking & global challenges

- ✓ Reduced cleaning and maintenance
- ✓ Save up to 12,000 litres (3,250 US gallons) of water per year
- ✓ Reduced power consumption
- ✓ High strength long life filter tank
- ✓ Oil filled long life pressure gauge for accurate reading
- ✓ Choice of two outlet ports for simplified installation



# Viron QL Cartridge Filter

The Viron QL cartridge filter is engineered for outstanding reliability and performance for your swimming pool or spa. Viron's filtration system is finer than a sand or glass media filter, and reduces cleaning frequency saving precious time.

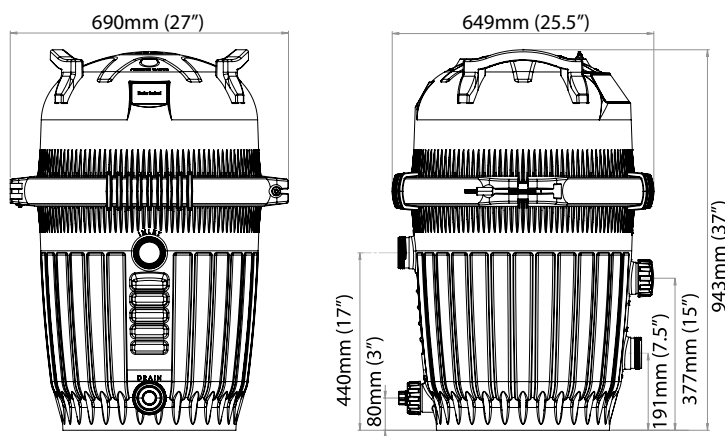
With less plumbing and no backwash line, installing and maintaining your Viron filter is so simple, almost anyone in the family can do it. The Viron is designed to save between 8,000 and 20,000 litres (2,000 and 5,400 US gallons) of water each year, by only requiring once a year cleaning for most residential pools. Made for Australian conditions Viron doesn't need regular flushing like sand or glass media filters, which means you save the equivalent of 37 hours of shower time in water.

Viron's secret lies in its low maintenance. With the use of four state of the art filter elements, they have enormous capacity so they only require cleaning once a year. An inbuilt automatic air bleed system also reduces the manual air bleeding process simplifying your routine maintenance program.

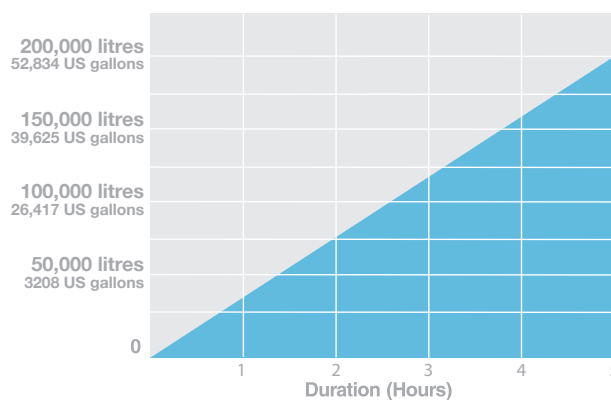
The Viron QL420 and QL540 are made from quality components. The injection moulded design is made up of non-corrosive materials and provides ready access to all elements. Fine tolerance manufacturing increases the life and reduces ongoing maintenance.

The Viron QL series of cartridge filters is available for 39m<sup>2</sup> (420 sq-ft) or 50m<sup>2</sup> (540 sq-ft) filter areas, making them suitable for residential or commercial pools or spas. The Viron Cartridge filters are covered by a limited 5 year warranty on the tank and 12 months on the other components.

To find out more about the Viron range visit [astralpool.com.au](http://astralpool.com.au)



Turnover Capacity for Residential Pools



## SPECIFICATIONS

Model	Filter Area	Max Flow	Weight
Viron QL420	39 m <sup>2</sup> /420 US sq ft	500 lpm/135 US gpm	35 kg/77 lbs
Viron QL540	50 m <sup>2</sup> /538 US sq ft	500 lpm/135 US gpm	40 kg/88 lbs

Available from:



[sales@astralpool.com.au](mailto:sales@astralpool.com.au)

[www.astralpool.com.au](http://www.astralpool.com.au)

[facebook.com/astralpoolAU](https://www.facebook.com/astralpoolAU)