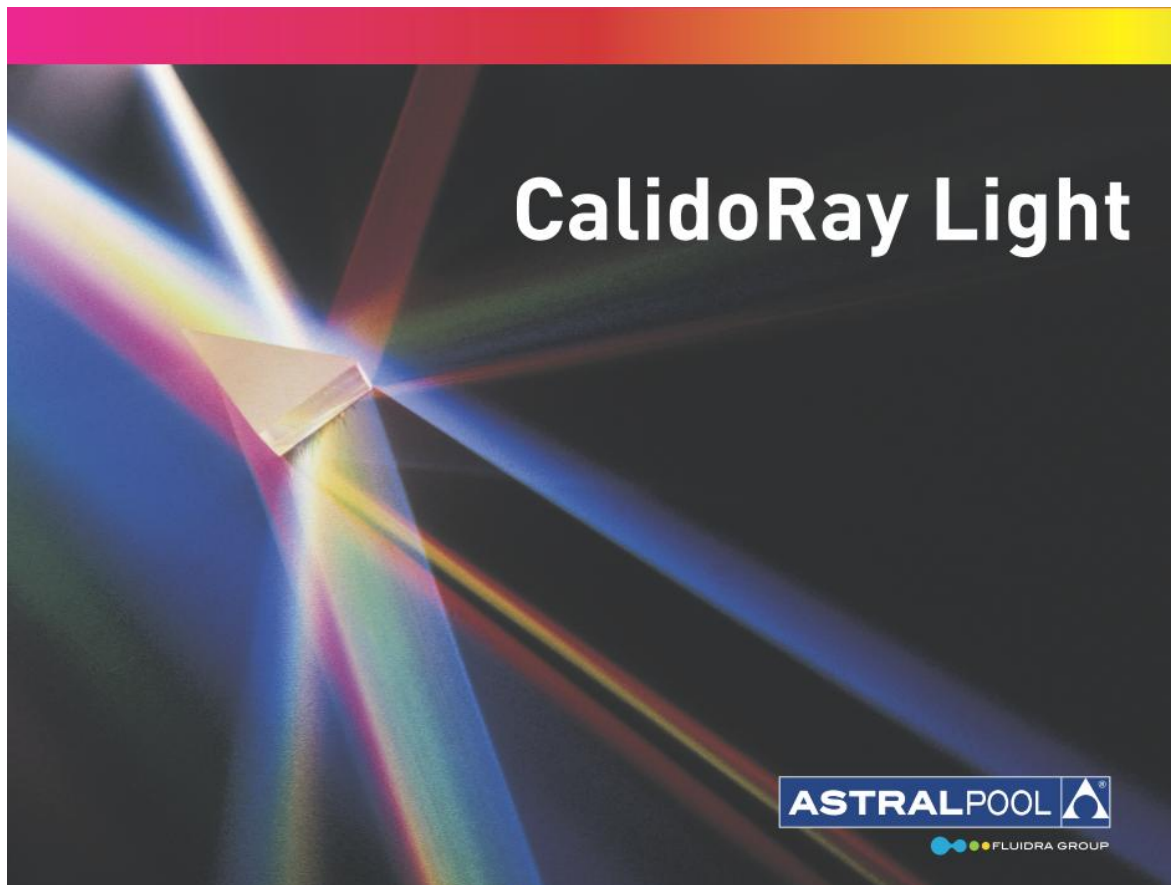




CalidoRay Underwater Lighting

INSTALLATION AND MAINTENANCE INSTRUCTIONS



Melbourne: 03 8796 8600
Sydney: 02 9853 2100
Brisbane: 07 3308 5400

Gold Coast: 07 5552 2600
Townsville: 07 4750 3100
Adelaide: 08 8152 7600

Perth: 08 9350 2600
sales@astralpool.com.au
www.astralpool.com.au

A division of
FLUIDRA
The Fluidra logo graphic consists of four overlapping circles in blue, light blue, green, and yellow.

INTRODUCTION

Congratulations! You have purchased a high quality CalidoRay underwater light manufactured for Astral Pool Australia. Please read the instructions carefully and your purchase will provide you with years of trouble free use.

Note:

The appliance is not intended for use by young children or infirm person without supervision. Please ensure that young children are supervised to ensure that they do not play with the appliance.

The external flexible cable or cord of this luminaire cannot be replaced; if the cord is damaged, the luminaire shall be destroyed.

COMPONENTS INCLUDED

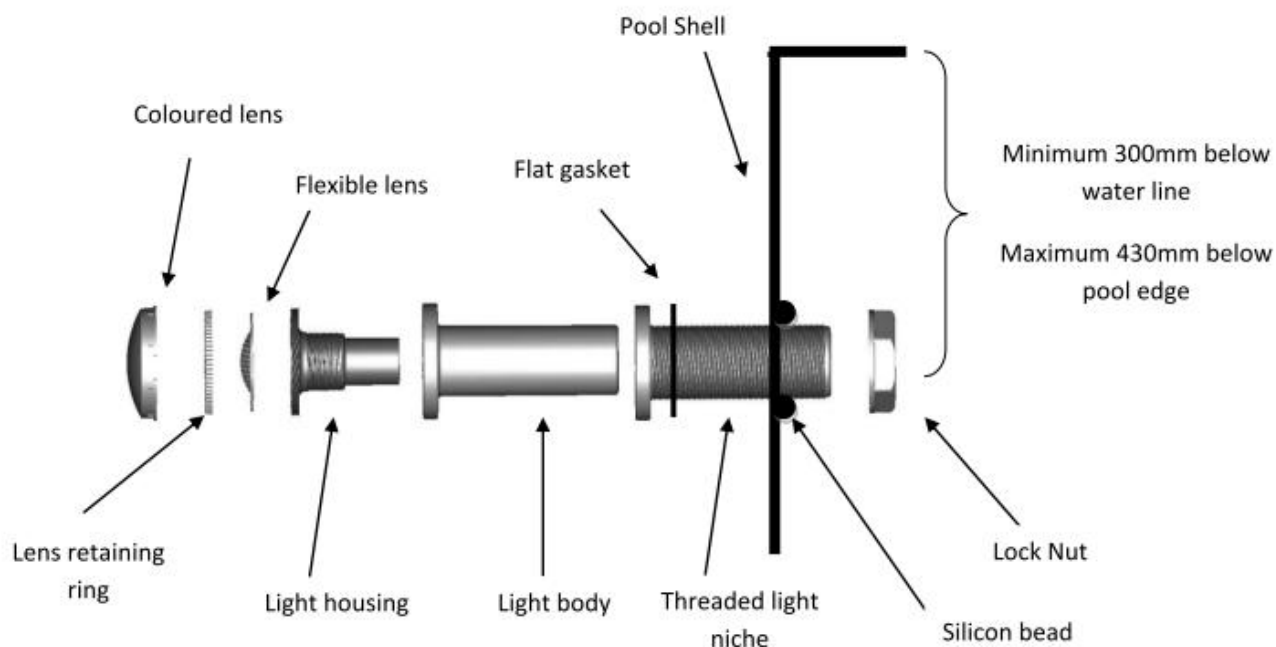
- 1 x CalidoRay Underwater Light (fitted with either LED or Xenon Lamp)
- 1 x Power Transformer
- 1 x Wall Conduit (if concrete model)
- 3 x Coloured lens

ELECTRICAL SPECIFICATIONS

Power Input:	230-240VAC, 50Hz
Power output:	12VAC
Current output:	4.2A
IP Rating:	IP44

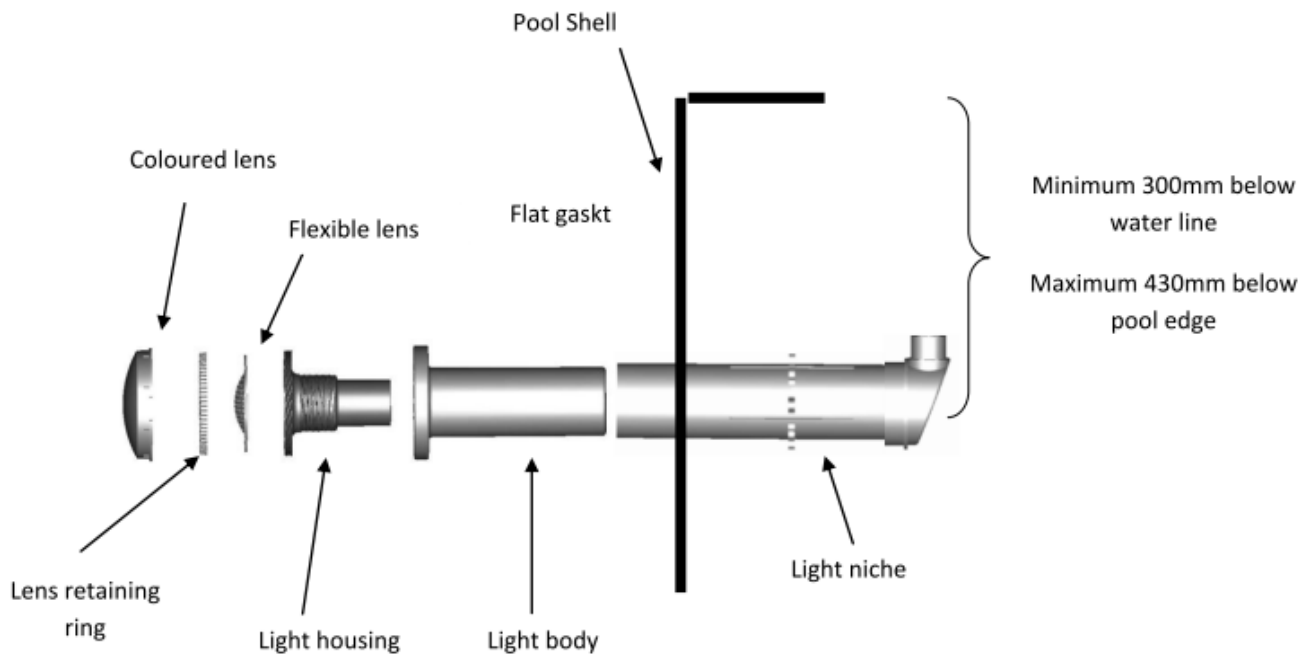
INSTALLATION OF LIGHT (FIBREGLASS)

1. Locate position in pool that lights are to be mounted. The fitting should be performed to position the light approximately 300mm below the water level of the pool during normal operation. Do not install lower than 430mm below pool edge otherwise cable will not be sufficient to bring light up to pool deck for lamp replacement.
2. Using a hole saw, cut 60mm diameter hole at the light location. Once cut, clean hole to ensure no debris or burrs are remaining.
3. Fit CalidoRay light through hole in pool shell ensuring rubber seal is on the water side of the pool shell. Run a line of silicon around the hole on the outside of the pool shell then tighten nut up onto the thread of the light body.
4. The light transformer has an IP44 rating which allows installation in Zone 2 of the pool area (a minimum of 2m from the waters edge). The transformer should be installed in a suitable position at least 1.2m above ground level and in accordance with all local, state and national wiring standards.
5. Connect cable from light to light transformer. The transformer is not polarity sensitive and either wire can be connected to either terminal.



INSTALLATION OF LIGHT (CONCRETE)

1. Locate position in pool that lights are to be mounted. The fitting should be performed to position the light approximately 300mm below the water level of the pool during normal operation. Do not install lower than 430mm below pool edge otherwise cable will not be sufficient to bring light up to pool deck for lamp replacement.
2. Fit CalidoRay concrete wall conduit into steel work marking sure it is secure and will not move during concrete pour. Ensure cap is fitted to conduit prior to concreting. **Note: There are indicators on the side of the conduit to guide depth inside the wall. It is important to have a minimum of 180mm from the rear of the conduit to the front of the pool wall.**
3. After concrete pour cut conduit flush to pool surface.
4. Fit light into wall conduit and glue into place prior to commencing pool surface finish.
5. The light transformer has an IP44 rating which allows installation in Zone 2 of the pool area (a minimum of 2m from the waters edge). The transformer should be installed in a suitable position at least 1.2m above ground level and in accordance with all local, state and national wiring standards.
6. Connect cable from light to light transformer. The transformer is not polarity sensitive and either wire can be connected to either terminal.



REPLACEMENT OF LAMP (LED OR XENON)

1. Remove clip on lens from front of CalidoRay light. Grip front of light and turn in anti-clockwise direction to remove light from the housing. Bring light up to above water level.
2. Undo screws from flexible lens ring and remove lens and ring.
3. Replace lamp ensuring no moisture is present inside the housing. It is important to replace the o'ring seal each time the light housing is opened.
4. Replace lens and ring on front of light and tighten screws. (Ensure o'ring remains in place)
5. Feed cable back into light housing and tighten body into place by turning in a clockwise direction.

WARRANTY – CALIDORAY LIGHTS

AstralPool Australia Pty Ltd (ABN 97 007 284 504) ("AstralPool") provides the following warranty in relation to its CalidoRay under water lights. ("Product").

Our goods come with guarantees that cannot be excluded under the Australian Consumer Law. You are entitled to a replacement or refund for a major failure and for compensation for any other reasonably foreseeable loss or damage. You are also entitled to have the goods repaired or replaced if the goods fail to be of acceptable quality and the failure does not amount to a major failure.

The benefits of this warranty are in addition to any rights and remedies imposed by Australian State and Federal legislation that cannot be excluded. Nothing in this warranty is to be interpreted as excluding, restricting or modifying any State or Federal legislation applicable to the supply of goods and services which cannot be excluded, restricted or modified.

WARRANTY

AstralPool warrants that, subject to the exclusions and limitations below, the Product will be free from defects in materials and workmanship during the warranty period. The warranty periods are set out below and commence 30 days after the date of purchase (to allow for installation). The warranty period may vary for different parts of the Product.

Parts	Warranty Period
Transformer and molded parts	12 months
Lamp	3 months

If a defect appears in the Product before the end of the warranty period and AstralPool finds the Product to be defective in materials or workmanship, AstralPool will, in its sole discretion, either:

- (a) replace or repair the Product or the defective part of the Product free of charge; or
- (b) Cause the Product or the defective part of the Product to be replaced or repaired by an Authorised AstralPool Service Agent free of charge.

AstralPool reserves the right to replace defective parts of the Product with parts and components of similar quality, grade and composition where an identical part or component is not available.

Goods presented for repair may be replaced by refurbished goods of the same type rather than being repaired. Refurbished parts may be used to repair the goods.

WARRANTY CLAIMS

1. If a fault covered by warranty occurs, the customer must first contact AstralPool at the contact address listed below, or an Authorised AstralPool Service Agent.
2. Any warranty claim must be accompanied by:
 - (a) proof of purchase;
 - (b) full details of the alleged defect; and
 - (c) appropriate documentation (such as historical and maintenance records).
3. The customer must make the Product available to AstralPool or its Authorised AstralPool Service Agent for inspection and testing. AstralPool or its Authorised AstralPool Service Agent will attend the premises where the Product is installed for inspection and testing. If the Product is installed:
 - (a) outside a capital city metropolitan area; and
 - (b) is not within a 20 km radius of an Authorised AstralPool Service Agent;then the customer may have to pay a travel fee.

4. If such inspection and testing finds no defect in the Product, the customer must pay AstralPool's usual costs of service work and testing. If such inspection and testing finds a defect that is not covered by this warranty, the customer must pay AstralPool's usual costs of service work plus any parts and labour required to repair the Product, unless recoverable from AstralPool on the failure of any statutory guarantee under the ACL.

Exclusions

The warranty will not apply where:

- (a) the customer is in breach of the Terms and Conditions of Sale;
- (b) the Product was used for a purpose other than one it was intended for;
- (c) the Product was repaired, modified or altered by any person other than AstralPool;
- (d) the Product has not been installed, maintained and/or operated in complete compliance with the installation and operating instructions and any instructions by AstralPool;
- (e) the Product has been subject to accident, negligence, alteration, abuse or misuse.

The warranty does not extend to:

- a) normal wear and tear;
- b) weather and other environmental conditions including but not limited to storm, flood, and/or heat wave damage; or
- c) service and maintenance items.

Examples of exclusions include but are not limited to:

- water ingress to transformer
- lamp failure

Commercial Installations

On commercial installations, such as health clubs, motels/hotels and hydrotherapy facilities, the warranty is limited to parts and in field labour (within capital city metropolitan areas or 20 km radius of Authorised AstralPool Service Agents) for a period of 12 months from the date of purchase plus 30 days to allow for installation.

LIMITATIONS

AstralPool makes no express warranties or representations other than set out in this warranty.

The repair or replacement of the Product or part of the Product is the absolute limit of AstralPool's liability under this express warranty.

ASTRALPOOL Pty. Limited. A.B.N. 97 007 284 504
www.astralpool.com.au email: service@astralpool.com.au
Information and specifications subject to change without notice.

Victoria:	New South Wales:	Queensland:	South Australia:	Western Australia:	Gold Coast:	Townsville:
Ph: (03) 8796 8600	Ph: (02) 9853 2100	Ph: (07) 3308 5400	Ph: (08) 8152 7600	Ph: (08) 9350 2600	Ph: (07) 5552 2600	Ph: (07) 4750 3100
Fax: (03) 8796 8670	Fax: (02) 98532170	Fax: (07) 3308 5470	Fax: (08) 81527670	Fax: (08) 9350 2670	Fax: (07) 5552 2670	Fax: (07) 4750 3170