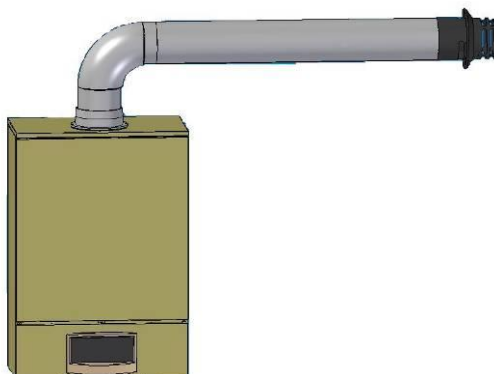




AstralPool Coaxial Flue System

INSTALLATION AND OPERATING INSTRUCTIONS



75MM / 125MM DIAMETER TO SUIT JX130 & JX160 INDOOR HEATERS & HW130 & HW160 INDOOR BOILERS

A division of

FLUIDRA
The Fluidra logo graphic consists of four overlapping circles in shades of blue and green, arranged in a horizontal line.

INDEX

INTRODUCTION.....	3
NOTICE TO INSTALLERS.....	3
APPLIANCES SUITABLE FOR USE.....	3
GUIDE TO INSTALLATION.....	4
MAXIMUM INSTALLATION LENGTHS.....	5
INSTALLATION DIMENSIONS.....	6
.....	7
CONNECTION TO APPLIANCE.....	8
FORMING BENDS AND STRAIGHT LENGTHS.....	10
WALL PENETRATION KIT.....	10
COWL FITMENT.....	11
RESTRAINING BRACKETS.....	11
WARRANTY.....	12

INTRODUCTION

Congratulations on your purchase of an AstralPool Series Indoor pool heater / Indoor boiler. Correct installation of your appliance and flue system is critical for your safety and provide years of trouble free operation.

The AstralPool coaxial flue system is designed for use with the AstralPool Indoor pool heater or boiler. The appliance is room sealed rated avoiding the need for room ventilation and must be installed with the approved flue system.

NOTICE TO INSTALLERS

The information below is given to assist the installer with installation of the pool heater/boiler and coaxial flue system. Please read it carefully in order to make the installation as easy as possible and to ensure the system works well and conforms to the necessary government regulations.

PLEASE READ THESE INSTRUCTIONS BEFORE STARTING THE INSTALLATION.
THIS APPLIANCE MUST BE INSTALLED BY AN AUTHORISED PERSON ONLY.
The appliance and flue system must be installed and serviced to the requirements of the
Local Building, Gas, Water and Electricity Authorities.
These instructions are to be held by the owner / user after installation.

This appliance must be installed in accordance with the installation instructions, local gas fitting regulations, the AGA Installation Code AS5601 and any other relevant statutory authorities.

Refer to data plate fitted to cowl for details.

APPLIANCES SUITABLE FOR USE WITH 75/125MM COAXIAL FLUE SYSTEM

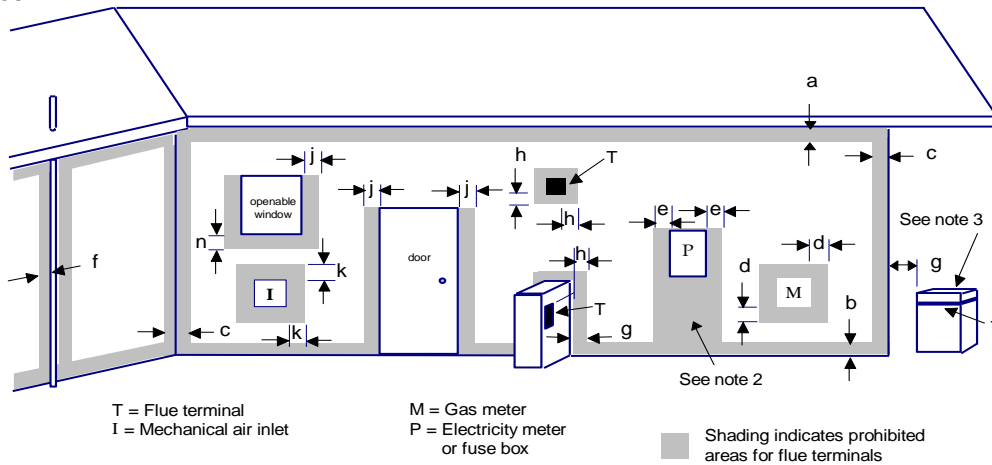
The AstralPool 75mm/125mm coaxial flue system has been approved for use with the following appliances.

- AstralPool JX Indoor series Pool heater – Models JX130 & JX160 Natural Gas
- AstralPool JX Indoor series Pool heater – Models JX130 & JX160 ULPG
- AstralPool HW Indoor series on/off Boiler – Models HW130 & HW160 Natural Gas
- AstralPool HW Indoor series on/off Boiler – Models HW130 & HW160 ULPG
- AstralPool HW Indoor series Modulating Boiler – Models HW130 & HW160 Natural Gas
- AstralPool HW Indoor series Modulating Boiler – Models HW130 & HW160 ULPG

GUIDE TO INSTALLATION

Location of Flue Terminals – An extract from AS5601

Minimum Clearances Required For Powered Flue, Balanced Flue Terminals or the Terminals of Room Sealed Appliances.



MIN. CLEARANCE (mm)

A	Below eaves, balconies and other projections	
	Appliances up to 50 MJ/h input	200
	Appliances over 50 MJ/h input	300
B	From the ground, above a balcony or other surface	300
C	From a return wall or external corner	500
D	From a gas meter (M)	1000
E	From an electricity meter or fuse box (P)	500
F	From a drain pipe or soil pipe	75
G	Horizontally from any building structure (unless appliance approved for closer installation) or obstruction facing a terminal	500
H	From any other flue terminal, cowl, or combustion air intake	300
I	Horizontally from an open able window, door, non-mechanical air inlet, or any other opening into a building with the exception of sub-floor ventilation	
	Appliances up to 150 MJ/h input	300
	Appliances over 150 MJ/h but less than 200 MJ/h input	500
	Appliances over 200 MJ/h input	1500
	All fan-assisted flue appliances, in direction of discharge	1500
K	From a mechanical air inlet, including a spa blower	1000
N	Vertically below an open able window, non-mechanical air inlet, or any other opening into a building with the exception of sub-floor ventilation	See table

CLEARANCE 'n' (mm)			
Space heaters	All other appliances		
Up to 50 MJ/h input	Up to 50 MJ/h input	Over 50 MJ/h & up to 150 MJ/h	Over 150 MJ/h input
150	500	1000	1500

- NOTES:
- All distances are measured to the nearest part of the terminal.
 - Prohibited area below electricity meter or fuse box extends to ground level.
 - See Clause 5.13.6.6 for restrictions on a flue terminal under a covered area.
 - See Appendix J, Figures J1(a) and J2(a), for clearances required from a flue terminal to an LP Gas cylinder. A flue terminal is considered to be a source of ignition.

The above information is part of AS5601 FIGURE 5.3 as supplied by the AGA and is provided as an indication of the correct clearances only. Please refer to the latest issue of AS5601.

MAXIMUM INSTALLATION LENGTHS

THIS APPLIANCE FLUE SYSTEM MUST BE INSTALLED BY AN AUTHORISED PERSON.

THIS TERMINAL MUST ALWAYS VENT DIRECTLY TO OUTDOORS.

The boiler / pool heater is supplied with a spigot connection which enables fitting to the approved coaxial flue system. Because the appliance draws its own combustion air from outside using the outer skin of the flue, no ventilation requirements are needed for the heater.

Only the approved flue system shall be used with the appliance. Use of other flue systems will fail to meet AGA installation codes and void warranty.

The coaxial flue sizes are 75mm inner and 125mm diameter outer.

Ensure fluing is securely fixed.

Flue lengths must not exceed the maximum lengths shown below or appliance warranty will be void.

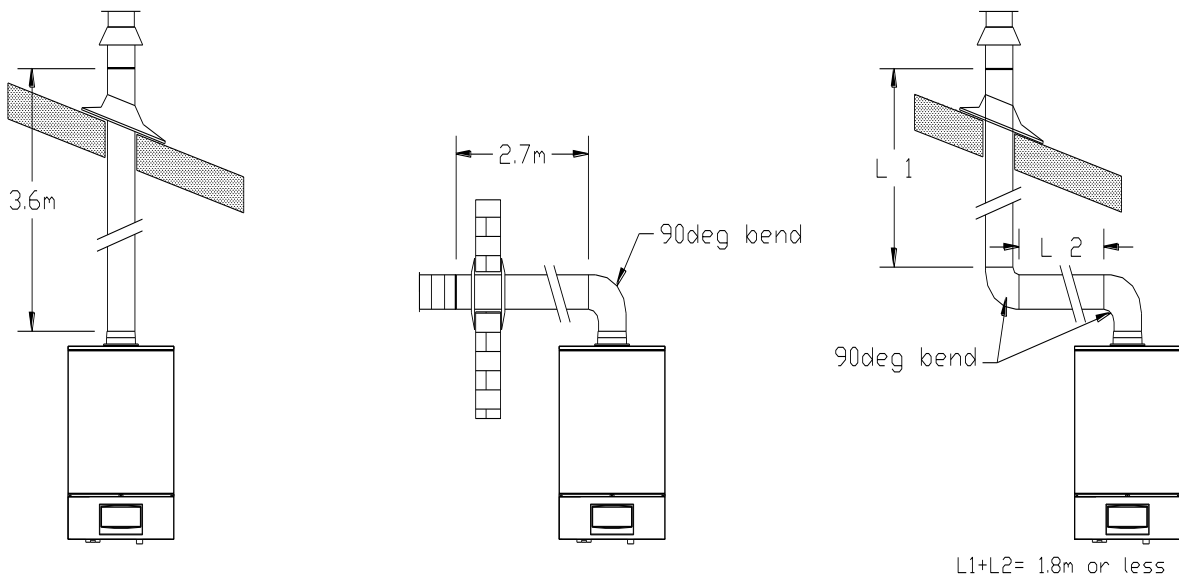
DO NOT place objects near or on flue.

DO NOT dry objects on the flue.

The maximum flue runs are as shown. Shorter flue lengths can be run with no modifications to the appliance. Flue can be cut to length using tin snips or hacksaw. Flue is supplied in a 4 m length.

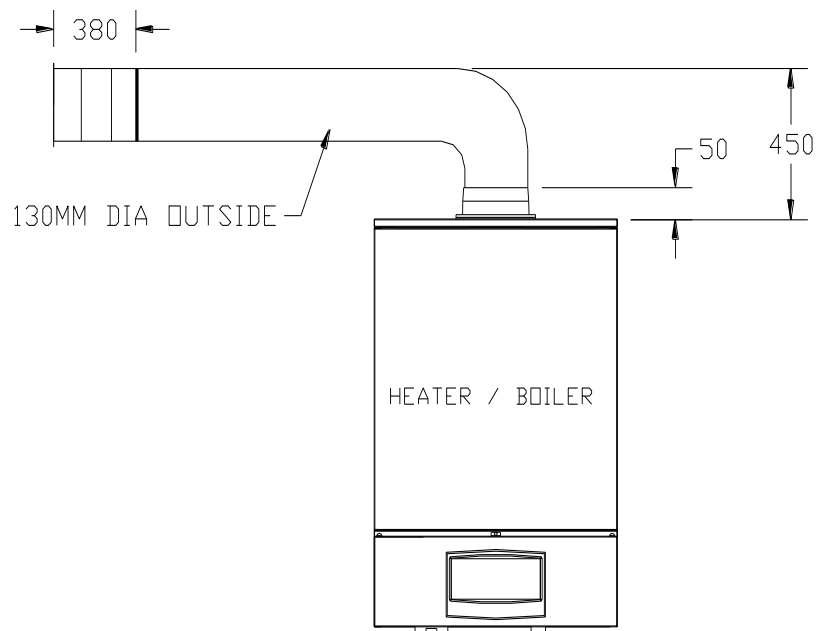
A maximum straight flue length of 3.6m + cowl can be installed. For each 90deg bend deduct 0.9m from the allowable flue length.

For variations to the following please contact your nearest AstralPool office.

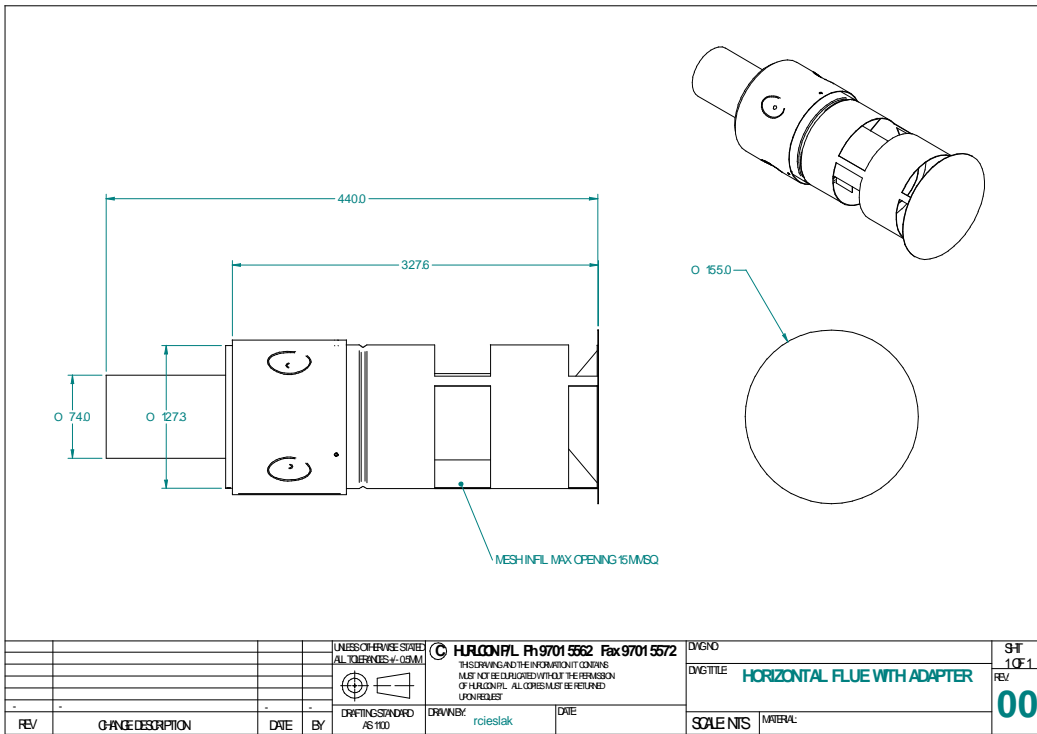


INSTALLATION DIMENSIONS

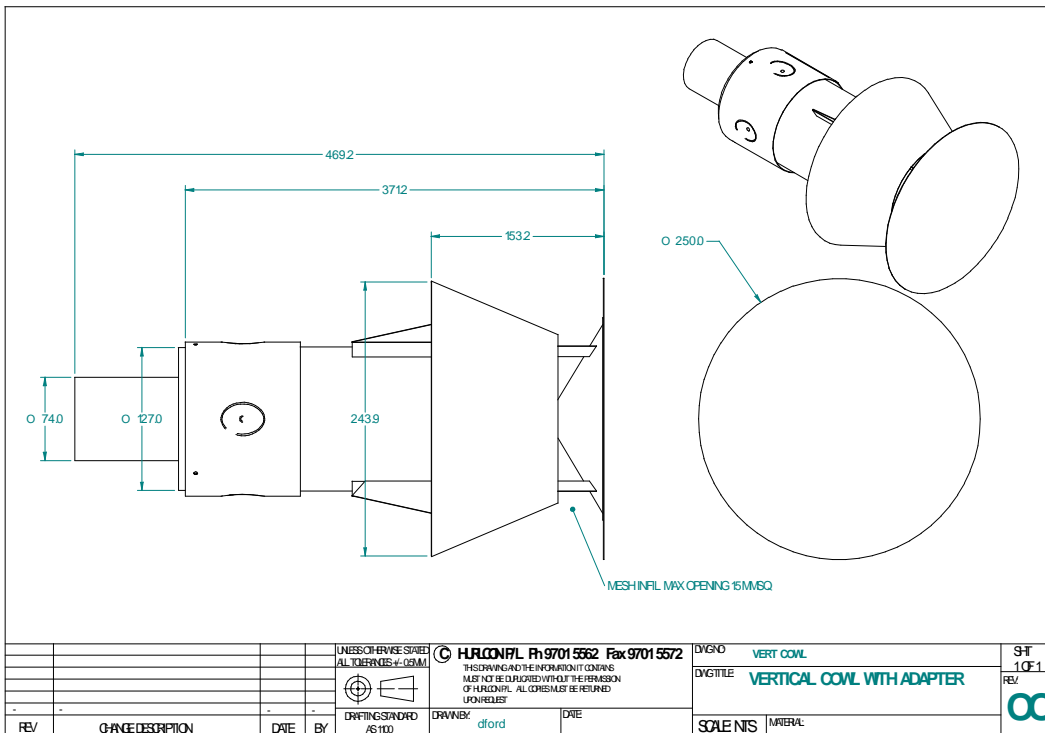
Flue are supplied in standard lengths of 4.0m and can be cut to length on site.
Flue is supplied pre assembled ready to form bends and for fitment to appliance.



HORIZONTAL



VERTICAL



CONNECTION TO APPLIANCE

Fit 125mm spigot adapter to casting. Pop rivet in 3 places.



Fit 75mm spigot connector to casting. Check orings are fitted correctly. Insert oring end into casting and push until spigot bottoms onto the casting. Use rubber mallet or wood block to gently tap into place.



Flue is supplied preassembled and should be installed in the assembled condition. In all connections the outer flue and inner flue should be cut to the same lengths after forming bends. Preform bends where possible before fitting flue to appliance. The galvanised protected end is the external flue cowl end.

Fit hose clamp over 75mm flue.
Fit 75mm flue over spigot. Minimum insertion onto spigot is 50mm.
Tighten hose clamp.



Fit 125mm flue into adapter collar.
Rivet / screw into place to prevent flue moving out.



FORMING BENDS AND STRAIGHT LENGTHS

Flue system is supplied in a 4 m length coiled in packaging box. Straighten flue before use. Avoid damaging or piercing the outer flue. Avoid excessive forces which will dent / damaged/ pierce to deform the flue pipe. When kept round and ends clean burr free the flue connections will be easier to make.

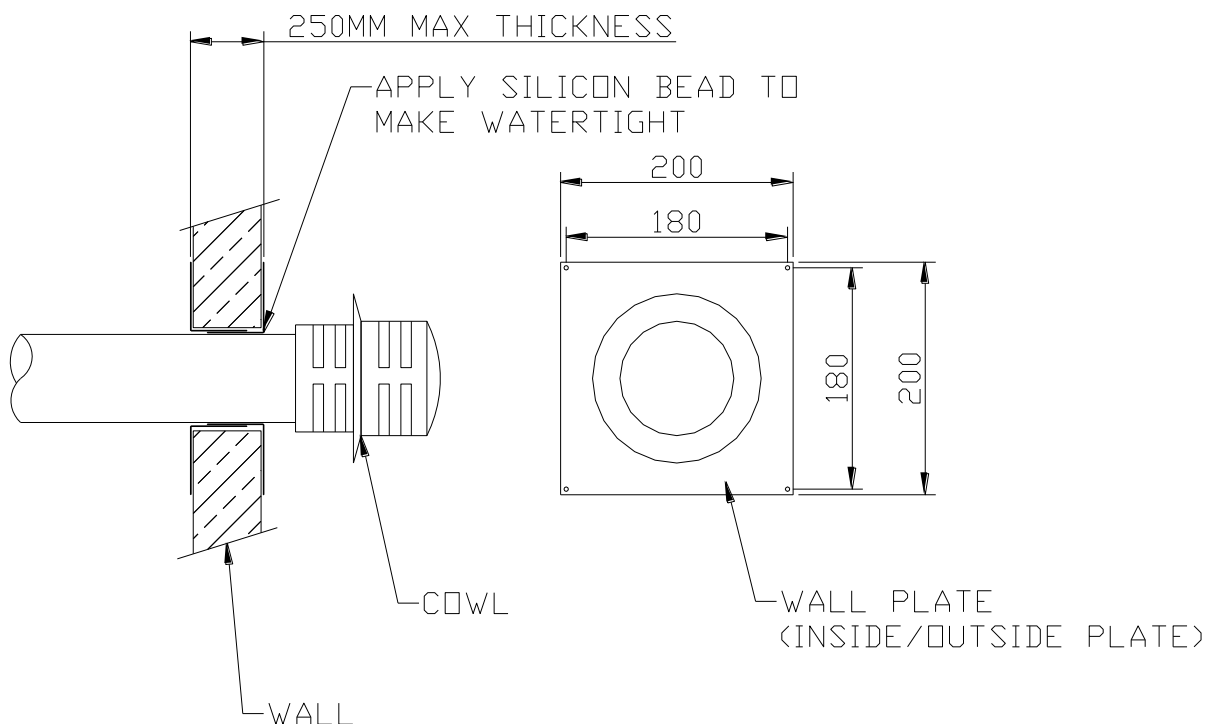
The flue pipe is fitted with internal spacers that automatically keep the inner and outer flue apart. **BENDS.** Bends are made by curving the flue pipe around a gentle radius such as a pipe or knee. Do not over bend and kink flue pipe. Keep bends to a minimum and use as large as radius as possible. Minimum internal radius is 250mm.

Bends can be restraightened if required.



WALL PENETRATION KIT

Wall penetration kit allows access through various wall types and can be used in a horizontal or vertical installation. Entry through the wall plates is at 90degrees to the wall/ ceiling. The wall penetration kit cannot be used for vertically exiting a roof. An approved roof sealing gland must be used. Penetration kit plates are powder coated and can be painted over if required. Maximum wall thickness 250mm
Apply silicon bead on external face to make connection watertight.



COWL FITMENT

The coaxial flue system is supplied with a cowl suitable only for a vertical or a separate cowl for horizontal installation.

The cowl is fitted by sliding the cowl over the male ends of the flue piping.

The aluminium flue must be protected from weather. A galvanised end of 0.9m is supplied for the external penetration. Extra gal lengths can be added if required. Do not allow the aluminium pipe to exit a building uncovered. GAL outer should finish 50mm from end of flue.

THIS TERMINAL MUST ALWAYS VENT DIRECTLY OUTDOORS.

VERTICAL INSTALLTION

Slide cowl over both lengths of flue to an insertion depth of 50mm minimum. Rivet the outer flue pipe to the adapter collar. Apply a silicon bead around the connection to make watertight. Installation must meet AS5601 guidelines

HORIZONTAL INSTALLTION

Slide cowl over both lengths of flue to an insertion depth of 50mm minimum. Rivet the outer flue pipe to the adapter collar. Apply a silicon bead around the connection and to the wall penetration to make watertight

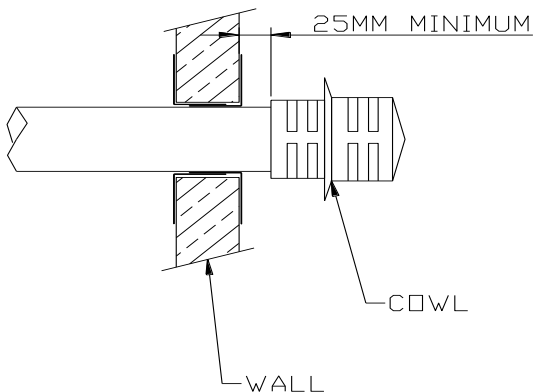
Installation must meet AS5601 guidelines

Flue pipe must extend out from wall cowl should finish approx 25mm from wall.

Note Gal outer sheath to finish 50mm short of aluminium flue.



Minimum installation of cowl from wall



RESTRAINING BRACKETS

Horizontal runs of 1.8m or more must be supported with hanging / mounting brackets.

Brackets must suit pipe diameter of 125mm and be of the clamping type.

Brackets must not be pop riveted or screwed into the flue.

ONE YEAR LIMITED WARRANTY

GENERAL CONDITIONS

AstralPool cover your coaxial flue system with a limited 1 year warranty against defective materials and workmanship from the date of purchase (plus 30 days to allow for installation). Proof of purchase date must be provided in order to substantiate warranty claim.

The warranty includes 12 months in field labour costs where the coaxial flue system is installed in a capital city metropolitan area. Labour charges apply to boilers installed outside of these areas. Any costs for transport of faulty or replacement parts, removal or reinstallation are the owner's responsibility.

AstralPool assumes no liability for consequential damages of any kind.

Like your motor vehicle, the coaxial flue system should be periodically checked to keep it operating in top condition and so your appliance runs at maximum efficiency. An annual service for your gas appliance by one of our qualified service technicians is highly recommended.

LIMITATIONS

All warranties only apply if the coaxial flue system is installed and operated in complete compliance with the installation and operating instructions. The warranty shall not apply to any components or parts that have been subject to accident, negligence, alteration, abuse or misuse.

ADDITIONAL WARRANTY EXCLUSIONS:

This warranty does not cover failures or malfunctions resulting from:

- Failure to properly install the coaxial flue system in accordance with our printed instructions provided.
- Abuse, alteration, accident, fire, flood and the like. Examples of misuse or neglect include, but are not limited to, physical damage from external force, not following installation instructions, leaving covers off for extended periods of time, inappropriate application of the boiler / pool heater, etc.
- Incorrect gas pressure or gas supply.
- Chemical contamination of combustion air.

No person is authorised to make any warranties on Astral Pool's behalf. To place a service call, contact your nearest AstralPool office.



INST261



Melbourne
39-45 Cyber Loop
Dandenong VIC 3175
P: 03 8796 8600

Townsville
17 Auscan Crescent
Garbutt QLD 4814
P: 07 4796 0100

Sydney Seven Hills
2/2 Welder Road
Seven Hills NSW 2147
P: 02 9853 2100

Sydney Moorebank
6/30 Heathcote Road
Moorebank NSW 2170
P: 02 8778 9500

Adelaide
13 William Street
Mile End South SA 5031
P: 08 8152 7600

Brisbane
1/27 Millenium Place
Tingalpa QLD 4173
P: 07 3308 5400

Perth
97 Sheffield Road
Welshpool WA 6106
P: 08 9350 2600

Gold Coast
1/28 Export Drive
Molendinar QLD 4214
P: 07 5552 2600

sales@astralpool.com.au
www.astralpool.com.au