



## Viron CL Series Cartridge Filter

**ASTRAL**POOL 

# INSTALLATION AND OPERATING INSTRUCTIONS



Melbourne: 03 8796 8600  
Sydney Nth: 02 9853 2100  
Brisbane: 07 3308 5400

Gold Coast: 07 5552 2600  
Sydney Sth: 02 8778 9500  
Adelaide: 08 8152 7600

Perth: 08 9350 2600  
Townsville: 07 4750 3100  
[sales@astralpool.com.au](mailto:sales@astralpool.com.au)  
[www.astralpool.com.au](http://www.astralpool.com.au)

A division of  
**FLUIDRA**  

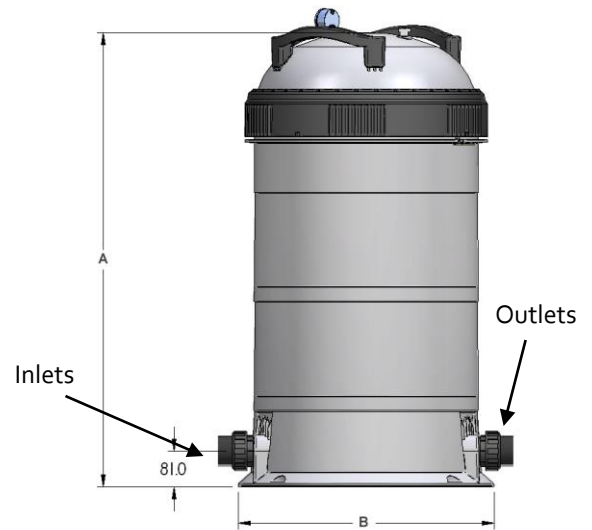

## INSTALLATION OF VIRON CL SERIES

---

Install Cartridge filter on a clean, stable and level base on which the circulation pump is located.

1. The CL Cartridge Filter has two 50mm water connections. The 2 inlet ports (from pump) are located at the bottom of the filter. The 2 outlet ports are located on the opposite side of the filter. The inlets and outlets are marked on the tank. The un-used inlet and outlet ports should be capped using the caps provided. For installations where the flow rate is above 350 litres per minute, both Inlet and outlet ports may be used. The PVC pipe can be manifolded together to achieve a maximum flow rate of 700 litres per minute.
2. Allow a minimum on one hour for glue to dry.
3. Using Teflon tape, screw pressure gauge into lid.
4. If the filter is installed below water level, isolation valves must be installed on the inlet and outlet to enable the filter to be dismantled for cleaning without the loss of water from the pool or spa.
5. It is also recommended that a three way valve be installed on the return line to allow draining of water from the pool or spa when necessary.

CL 400	A Dimension – 734mm,	B dimension 586mm
CL 600	1034mm	586mm



## START UP INSTRUCTIONS

---

**Warning: Never Start Pump while lid or lock ring is loose. Never stand above filter while pump is running – danger of lid coming off under pressure could cause serious injury or death.**

1. Before start up make sure the elements are in the filter and the lid lock ring is tightened until the safety catch locks – do not over tighten.
2. Open the suction and return line valves (where fitted).
3. Loosen the air release valve on the filter lid, start pump until water escapes the air release valve. Tighten the air release valve and check there is a good flow of water back in the pool.
4. Clean the cartridges when the flow to the pool reduces or the pressure gauge increases by 20 kPa.

## PUMP PRIMING

---

1. With the pump OFF, remove the lid from the pump strainer and pour in approximately 4 litres of water.
2. Replace lid.
3. If valve has been installed on the pump suction line, close before filling strainer. Open again after lid has been securely fastened in place. Any valves on the return lines should be open. The pump should not need to be re-primed unless the pump has been drained for servicing, or winterizing (refer to complete pump operations manual provided with pump).

## TO CLEAN FILTER CARTRIDGE

---

1. Stop pump - close valves on the suction and return lines.
2. Open the air bleed valve on the lid.
3. Loosen lock ring and remove cartridges.
4. Lift out cartridges. Clean the cartridge by soaking it in a mild solution of chlorine and warm water for 15 minutes and then hose off with high pressure water.
5. Replace the cartridges – carefully locating it on the bottom spigot.
6. Clean the lid 'o' ring. Apply a small amount of water based lubricant.
7. Place the lid onto the filter body, ensuring it is located centrally. **Do not try to force lid down into place.**
8. Place locking ring onto filter.
9. Tighten the lock ring to pull the lid into the filter body. Approximately 3 ½ turns are required until safety catch engages – do not over tighten.
10. Check locking ring will not loosen without releasing the locking mechanism.
11. Open the valves – start the pump.

## CLEANING FREQUENCY

---

The Viron CL 400 and CL 600 have been designed to minimise cleaning. On average sized residential pools it is likely cleaning will only be required once a year. However, after storms causing severe ingress of dust and debris into the pool, or in times where earthworks and construction are taking place nearby, cleaning may be required as often as once per month.

## NEVER LOOSEN THE LOCK RING WHEN THE PUMP IS WORKING!!!

MODEL	PART NO.	ELEMENT PART NO.	FILTER AREA	MAX FLOW RATE L/Hr	MAX FLOW RATE L/M	4 HR TURN OVER	6 HR TURN OVER	PUMP SIZE	SHIP KG'S	CUBIC MEASURE
CL400	10055	78083	400 sq ft 38.0 m2	42,000	700	168,000	252,000	750W 2200W	37.0 kg	0.63m2
CL600	10056	78084	600 sq ft 57.00m2	42,000	700	168,000	252,000	750W 3000W	38.0 kg	0.63m3

## Maintenance of your filter

**Maintenance Schedule:** Your new product incorporates moving parts and withstands high velocity water with chemicals in it. Some of these parts will wear in the normal course of use and require regular checks and maintenance. Performing these checks and maintenance will identify parts that have worn and require repair/replacement before further serious damage is sustained. A small amount of regular care and attention to your pool equipment will help ensure long life and trouble free performance.

Timing	Maintenance Check	Service action (if required)
Fortnightly	Check pressure gauge. If pressure increase is greater than 20kPa cleaning may be required	In accordance with instructions, clean elements with a high pressure cleaner or purpose made element cleaner
Three Monthly	Check inlet/outlet o’rings for leaks  Check operation of pressure gauge – salt water can prematurely reduce the life of a gauge	Isolate Pump, turn power off, clean and grease O rings or replace if necessary Replace gauge if required
Annually	Compare operating pressure of a cleaned filter to initial pressure (when new). Also check for signs of damage to elements	If pressure is more than 30 – 40 kPa different from cleaned elements to new filter, replace elements

**Important note:** Regular maintenance is important to ensure long life and trouble free performance of your pool equipment. If unable to perform the maintenance yourself, contact your local AstralPool office who will arrange a trained service technician to perform the maintenance for you.

Record your Equipment details here for quick reference:

Model No.: \_\_\_\_\_

Serial No.: \_\_\_\_\_

Initial Pressure (kPa): \_\_\_\_\_

## WARRANTY

---

AstralPool Australia Pty Ltd (ABN 97 007 284 504) ("AstralPool") provides the following warranty in relation to its CL series cartridge filters ("Product").

*Our goods come with guarantees that cannot be excluded under the Australian Consumer Law. You are entitled to a replacement or refund for a major failure and for compensation for any other reasonably foreseeable loss or damage. You are also entitled to have the goods repaired or replaced if the goods fail to be of acceptable quality and the failure does not amount to a major failure.*

The benefits of this warranty are in addition to any rights and remedies imposed by Australian State and Federal legislation that cannot be excluded. Nothing in this warranty is to be interpreted as excluding, restricting or modifying any State or Federal legislation applicable to the supply of goods and services which cannot be excluded, restricted or modified.

### WARRANTY

AstralPool warrants that, subject to the exclusions and limitations below, the Product will be free from defects in materials and workmanship during the warranty period. The warranty periods are set out below and commence 30 days after the date of purchase (to allow for installation). The warranty period may vary for different parts of the Product.

Parts	Warranty Period
Filter body, lid and locking ring	5 years
Filter Element	12 months
'O'rings and gasket seals	12 months

If a defect appears in the Product before the end of the warranty period and AstralPool finds the Product to be defective in materials or workmanship, AstralPool will, in its sole discretion, either:

- (a) Replace or repair the Product or the defective part of the Product free of charge; or
- (b) Cause the Product or the defective part of the Product to be replaced or repaired by an Authorised AstralPool Service Agent free of charge.

AstralPool reserves the right to replace defective parts of the Product with parts and components of similar quality, grade and composition where an identical part or component is not available.

Goods presented for repair may be replaced by refurbished goods of the same type rather than being repaired. Refurbished parts may be used to repair the goods.

### WARRANTY CLAIMS

1. If a fault covered by warranty occurs, the customer must first contact AstralPool at the contact address listed below, or an Authorised AstralPool Service Agent.
2. Any warranty claim must be accompanied by:
  - (a) Proof of purchase;
  - (b) Full details of the alleged defect; and
  - (c) Appropriate documentation (such as historical and maintenance records).
3. The customer must make the Product available to AstralPool or its Authorised AstralPool Service Agent for inspection and testing. AstralPool or its Authorised AstralPool Service Agent will attend the premises where the Product is installed for inspection and testing. If the Product is installed:
  - (a) Outside a capital city metropolitan area; and
  - (b) is not within a 20 km radius of an Authorised AstralPool Service Agent;Then the customer may have to pay a travel fee.
4. If such inspection and testing finds no defect in the Product, the customer must pay AstralPool's usual costs of service work and testing. If such inspection and testing finds a defect that is not covered by this warranty, the customer

must pay AstralPool's usual costs of service work plus any parts and labour required to repair the Product, unless recoverable from AstralPool on the failure of any statutory guarantee under the ACL.

### **Exclusions**

The warranty will not apply where:

- (a) The customer is in breach of the Terms and Conditions of Sale;
- (b) The Product was used for a purpose other than one it was intended for;
- (c) The Product was repaired, modified or altered by any person other than AstralPool;
- (d) The Product has not been installed, maintained and/or operated in complete compliance with the installation and operating instructions and any instructions by AstralPool;
- (e) The Product has been subject to accident, negligence, alteration, abuse or misuse.

The warranty does not extend to:

- a) Normal wear and tear;
- b) Weather and other environmental conditions including but not limited to storm, flood, and/or heat wave damage; or
- c) Service and maintenance items.

Examples of exclusions include but are not limited to:

- Over tightening of locking ring or union fittings
- Damage to element caused by use of high pressure water cleaners

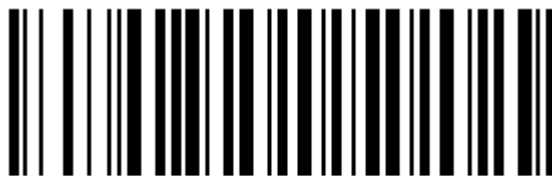
### **Commercial Installations**

On commercial installations, such as health clubs, motels/hotels and hydrotherapy facilities, the warranty is limited to parts and in field labour (within capital city metropolitan areas or 20 km radius of Authorised AstralPool Service Agents) for a period of 12 months from the date of purchase plus 30 days to allow for installation.

### **LIMITATIONS**

AstralPool makes no express warranties or representations other than set out in this warranty.

The repair or replacement of the Product or part of the Product is the absolute limit of AstralPool's liability under this express warranty.



**INST249**



[sales@astralpool.com.au](mailto:sales@astralpool.com.au)  
[www.astralpool.com.au](http://www.astralpool.com.au)